

STATIONARY COMPRESSORS



ROLAIR

S Y S T E M S



Celebrating Over 50 Years of Excellence!



STATIONARY AIR COMPRESSORS

- ★ *Totally Enclosed Belt Guard*
- ★ *Loadless Starting System*
- ★ *Electric Motors – Nationally Known Brands, Open Drip-Proof with Multiple V-Belt Drives S1-Rated for Continuous Duty*
- ★ *ASME Air Receivers – National Board Certified*
- ★ *Maximum Working Pressure – 200 PSI – Two Stage
150 PSI – Single Stage*
- ★ *Pressure Gauge in 5 lb. Increments*
- ★ *Start/Stop Controls*
- ★ *Intake Filter Silencers with Replaceable Elements*
- ★ *Pressure Switch – Set at 145/175 – Two Stage
110/135 – Single Stage*
- ★ *Safety Relief Valve – ASME Approved*

K SERIES – SPLASH LUBRICATED PUMPS

- ★ *Cast-Iron Cylinders*
- ★ *Reed Valves*
- ★ *Aluminum Heads & Crankcase for Faster Heat Dissipation*
- ★ *Bronze Connecting Rod Bushings*
- ★ *Automotive-Style Bearing Inserts*
- ★ *Machine-Balanced Flywheel*
- ★ *Deep-Finned Extended Intercoolers - Two-Stage Models*
- ★ *Oil Sight Gauge*
- ★ *Ball Main Bearings*
- ★ *Finned Aftercooler Standard Equipment
on 7.5 HP Through 20 HP Electric Models*

OPTIONS & ACCESSORIES

- ★ *Magnetic Starters*
- ★ *Automatic Tank Drains*
- ★ *Dual Controls*
- ★ *208 Volt Motors*
- ★ *460 Volt Motors*
- ★ *Air-Cooled Aftercoolers*
- ★ *Vibration Pads*
- ★ *Filters, Regulators and Lubricators*
- ★ *Low-Oil Shutdown*
- ★ *Refrigerant Air Dryers*
- ★ *3-in-1 Dryer Systems*



**MODEL
V3160K18**

1.5–2 HP SINGLE-STAGE MODELS

MODEL		HP	PHASE	TANK CAPACITY (gallons)	MOTOR RPM	DISP CFM@ 100 PSI	DEL'D CFM@ 100 PSI	LENGTH (inches)	WIDTH (inches)	HEIGHT (inches)	APPROX SHIPPING WT. (lb.)
HORIZONTAL	VERTICAL										
H15130K17		1.5	Single	30	1755	10.1	6.9	42	16	37	260
	V15130K17	1.5	Single	30	1755	10.1	6.9	24	16	59	235
H15160K17		1.5	Single	60	1755	10.1	6.9	52	20	41	285
	V15160K17	1.5	Single	60	1755	10.1	6.9	24	20	69	265
H2130K17		2	Single	30	1740	12.5	8.4	42	16	37	260
	V2130K17	2	Single	30	1740	12.5	8.4	24	16	59	235
H2160K17		2	Single	60	1740	12.5	8.4	52	20	41	285
	V2160K17	2	Single	60	1740	12.5	8.4	24	20	39	265

3 HP SINGLE-STAGE MODELS

MODEL		HP	PHASE	TANK CAPACITY (gallons)	MOTOR RPM	DISP CFM@ 100 PSI	DEL'D CFM@ 100 PSI	LENGTH (inches)	WIDTH (inches)	HEIGHT (inches)	APPROX SHIPPING WT. (lb.)
HORIZONTAL	VERTICAL										
H3130K18		3	Single	30	3450	13.8	11.9	42	16	38	260
	V3130K18	3	Single	30	3450	13.8	11.9	25	16	60	235
H3160K18		3	Single	60	3450	13.8	11.9	52	20	42	285
	V3160K18	3	Single	60	3450	13.8	11.9	24	20	70	265
H3330K18		3	Three	30	1740	13.8	11.9	42	16	38	260
	V3330K18	3	Three	30	1740	13.8	11.9	24	16	60	260
H3360K18		3	Three	60	1740	13.8	11.9	52	20	42	290
	V3360K18	3	Three	60	1740	13.8	11.9	24	20	70	290



**MODEL
V3160K24**

3 HP TWO-STAGE MODELS

MODEL		HP	PHASE	TANK CAPACITY (gallons)	MOTOR RPM	DISP CFM@ 175 PSI	DEL'D CFM@ 175 PSI	LENGTH (inches)	WIDTH (inches)	HEIGHT (inches)	APPROX SHIPPING WT. (lb.)
HORIZONTAL	VERTICAL										
H3130K24		3	Single	30	3450	14.6	10.5	42	16	39	315
H3160K24		3	Single	60	3450	14.6	10.5	52	20	43	390
	V3160K24	3	Single	60	3450	14.6	10.5	30	20	71	380
H3180K24		3	Single	80	3450	14.6	10.5	67	20	43	450
	V3180K24	3	Single	80	3450	14.6	10.5	30	24	71	440
H3330K24		3	Three	30	1740	14.6	10.5	42	16	39	325
H3360K24		3	Three	60	1740	14.6	10.5	52	20	43	400
	V3360K24	3	Three	60	1740	14.6	10.5	30	20	71	390
H3380K24		3	Three	80	1740	14.6	10.5	67	20	43	450
	V3380K24	3	Three	80	1740	14.6	10.5	30	24	71	440



**MODEL
V5160PT03X**

5 HP SINGLE AND TWO-STAGE MODELS

MODEL		HP	PHASE	TANK CAPACITY (gallons)	MOTOR RPM	DISPL. CFM@ 175 PSI	DEL'D CFM@ 175 PSI	LENGTH (inches)	WIDTH (inches)	HEIGHT (inches)	APPROX SHIPPING WT (lb.)
HORIZONTAL	VERTICAL										
H5160K25X		5	Single	60	3450	14.6	10.7	52	20	45	385
	V5160K25X	5	Single	60	3450	14.6	10.7	30	20	73	375
H5180K25X		5	Single	80	3450	14.6	10.7	67	24	45	445
	V5180K25X	5	Single	80	3450	14.6	10.7	30	24	73	440
	V5160PT03X	5	Single	60	3450	21.1*	16.0*	24	20	70	298

*The pump used on this model is a Single-Stage Pump. The CFM is rated @ 100 PSI.

5 HP TWO-STAGE – INDUSTRIAL MODELS



**MODEL
V5180K30**

MODEL		HP	PHASE	TANK CAPACITY (gallons)	MOTOR RPM	DISPL. CFM@ 175 PSI	DEL'D CFM@ 175 PSI	LENGTH (inches)	WIDTH (inches)	HEIGHT (inches)	APPROX SHIPPING WT (lb.)
HORIZONTAL	VERTICAL										
H5160K28		5	Single	60	1740	20.6	15.3	52	20	47	414
	V5160K28	5	Single	60	1740	20.6	15.3	30	20	75	404
H5180K28		5	Single	80	1740	20.6	15.3	67	20	47	479
	V5180K28	5	Single	80	1740	20.6	15.3	30	24	75	469
H5112K28		5	Single	120	1740	20.6	15.3	72	24	51	649
	V5112K28	5	Single	120	1740	20.6	15.3	40	30	72	639
H5360K28		5	Three	60	1740	20.6	15.3	52	20	47	409
	V5360K28	5	Three	60	1740	20.6	15.3	30	20	75	399
H5380K28		5	Three	80	1740	20.6	15.3	67	20	47	474
	V5380K28	5	Three	80	1740	20.6	15.3	30	24	75	464
H5312K28		5	Three	120	1740	20.6	15.3	72	24	51	645
	V5312K28	5	Three	120	1740	20.6	15.3	40	30	72	635
H5160K30		5	Single	60	1740	23.1	18.0	52	20	49	435
	V5160K30	5	Single	60	1740	23.1	18.0	30	20	77	430
H5180K30		5	Single	80	1740	23.1	18.0	67	20	49	505
	V5180K30	5	Single	80	1740	23.1	18.0	30	24	77	495
H5112K30		5	Single	120	1740	23.1	18.0	72	24	53	675
	V5112K30	5	Single	120	1740	23.1	18.0	40	30	74	665
H5360K30		5	Three	60	1740	23.1	18.0	52	20	49	425
	V5360K30	5	Three	60	1740	23.1	18.0	30	20	77	420
H5380K30		5	Three	80	1740	23.1	18.0	67	20	49	520
	V5380K30	5	Three	80	1740	23.1	18.0	30	24	77	490
H5312K30		5	Three	120	1740	23.1	18.0	72	24	53	665
	V5312K30	5	Three	120	1740	23.1	18.0	40	30	74	660

7.5 HP TWO-STAGE MODELS



**MODEL
V75380K50**

MODEL		HP	PHASE	TANK CAPACITY (gallons)	MOTOR RPM	DISPL. CFM@ 175 PSI	DEL'D CFM@ 175 PSI	LENGTH (inches)	WIDTH (inches)	HEIGHT (inches)	APPROX SHIPPING WT. (lb.)
HORIZONTAL	VERTICAL										
H75160K30		7.5	Single	60	1740	32.3	24.8	52	20	49	512
	V75160K30	7.5	Single	60	1740	32.3	24.8	30	20	77	502
H75180K30		7.5	Single	80	1740	32.3	24.8	67	20	49	572
	V75180K30	7.5	Single	80	1740	32.3	24.8	30	24	77	562
H75112K30		7.5	Single	120	1740	32.3	24.8	72	24	53	682
	V75112K30	7.5	Single	120	1740	32.3	24.8	40	30	74	697
H75360K30		7.5	Three	60	1740	32.3	24.8	52	20	49	507
	V75360K30	7.5	Three	60	1740	32.3	24.8	30	20	77	497
H75380K30		7.5	Three	80	1740	32.3	24.8	67	20	49	567
	V75380K30	7.5	Three	80	1740	32.3	24.8	30	24	77	557
H75312K30		7.5	Three	120	1740	32.3	24.8	72	24	53	677
	V75312K30	7.5	Three	120	1740	32.3	24.8	40	30	74	692
H75160K50		7.5	Single	60	1740	30.4	23.7	52	26	52	580
	V75160K50	7.5	Single	60	1740	30.4	23.7	30	22	81	570
H75180K50		7.5	Single	80	1740	30.4	23.7	67	26	52	640
	V75180K50	7.5	Single	80	1740	30.4	23.7	30	26	80	630
H75112K50		7.5	Single	120	1740	30.4	23.7	72	30	56	750
	V75112K50	7.5	Single	120	1740	30.4	23.7	40	32	77	765
H75360K50		7.5	Three	60	1740	30.4	23.7	52	26	52	575
	V75360K50	7.5	Three	60	1740	30.4	23.7	30	22	81	575
H75380K50		7.5	Three	80	1740	30.4	23.7	67	26	52	665
	V75380K50	7.5	Three	80	1740	30.4	23.7	30	26	80	625
H75312K50		7.5	Three	120	1740	30.4	23.7	72	30	56	750
	V75312K50	7.5	Three	120	1740	30.4	23.7	40	32	77	760

10 HP TWO-STAGE MODELS



**MODEL
H10312K60**

MODEL		HP	PHASE	TANK CAPACITY (gallons)	MOTOR RPM	DISPL. CFM@ 175 PSI	DEL'D CFM@ 175 PSI	LENGTH (inches)	WIDTH (inches)	HEIGHT (inches)	APPROX SHIPPING WT. (lb.)
HORIZONTAL	VERTICAL										
H10160K50		10	Single	60	1740	40.2	32.4	52	23	52	650
H10180K50		10	Single	80	1740	40.2	32.4	67	23	52	710
H10112K50		10	Single	120	1740	40.2	32.4	72	27	56	830
	V10112K50	10	Single	120	1740	40.2	32.4	40	28	77	820
H10360K50		10	Three	60	1740	40.2	32.4	52	23	52	635
H10380K50		10	Three	80	1740	40.2	32.4	67	23	52	695
H10312K50		10	Three	120	1740	40.2	32.4	72	27	56	815
	V10312K50	10	Three	120	1740	40.2	32.4	40	28	77	805
H10160K60		10	Single	60	1740	41.1	33.7	52	25	50	680
H10180K60		10	Single	80	1740	41.1	33.7	67	25	50	740
H10112K60		10	Single	120	1740	41.1	33.7	72	29	54	860
	V10112K60	10	Single	120	1740	41.1	33.7	40	30	75	850
H10360K60		10	Three	60	1740	41.1	33.7	52	25	50	665
H10380K60		10	Three	80	1740	41.1	33.7	67	25	50	725
H10312K60		10	Three	120	1740	41.1	33.7	72	29	54	895
	V10312K60	10	Three	120	1740	41.1	33.7	40	30	75	830



**MODEL
H15312K60**

15 & 20 HP TWO-STAGE MODELS

MODEL	HORIZONTAL	HP	PHASE	TANK CAPACITY (gallons)	MOTOR RPM	DISPL. CFM@ 175 PSI	DEL'D CFM@ 175 PSI	LENGTH (inches)	WIDTH (inches)	HEIGHT (inches)	APPROX SHIPPING WT. (lb.)
H15312K60		15	Three	120	1740	58.4	46.2	72	58	54	984
H15320K60		15	Three	200	1740	58.4	46.2	76	64	60	1284
H15312K100		15	Three	120	1740	60.7	47.3	72	30	58	1095
H15320K100		15	Three	200	1740	60.7	47.3	76	36	64	1395
H20312K100		20	Three	120	1740	75.8	58.4	72	23	58	1150
H20320K100		20	Three	200	1740	75.8	58.4	76	36	64	1450

GAS – SINGLE AND TWO-STAGE MODELS



**MODEL
11GR30HK30**

MODEL	HONDA ENGINE RATING	TANK CAPACITY (gallons)	ELECTRIC START	DISPL. CFM@ 175 PSI	DEL'D CFM@ 175 PSI	LENGTH (inches)	WIDTH (inches)	HEIGHT (inches)	APPROX SHIPPING WT (lb.)
5GR30HK17	163 cc (GX160)	30	Optional	13.1*	8.7*	42	22	38	250
11GR30HK28	389 cc (GX340)	30	Standard	20.6	15.3	42	22	43	339
11GR30HK30	389 cc (GX340)	30	Standard	22.0	17.0	42	22	45	365
11GR60HK30	389 cc (GX340)	60	Standard	22.0	17.0	52	26	49	465
11GRBMHK30	389 cc (GX340)	Base Mount	Standard	22.0	17.0	38	20	29	285
13GR30HK30	389 cc (GX390)	30	Standard	29.5	23.0	42	22	48	367
13GR60HK30	389 cc (GX390)	60	Standard	29.5	23.0	52	26	52	495
13GRBMHK30	389 cc (GX390)	Base Mount	Standard	29.5	23.0	38	20	32	295
20GRBMHK60	688 cc (GX630)	Base Mount	Standard	41.0	33.7	53	29	32	435
20GR60HK60	688 cc (GX630)	60	Standard	41.0	33.7	64	30	50	585

* The pump used on this model is a Single-Stage Pump. The CFM is rated @ 100 PSI.

** Other engines available — consult factory.

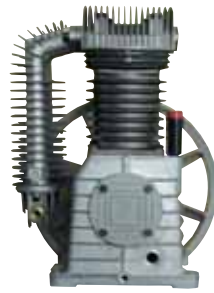
** Base-Mount units are equipped with either 4.5 gallon surge tank or 9 gallon twin-tank assembly, dependent on model.

** Battery tray optional on all gas models (battery and electric-start cables are not included.)

PUMP SPECIFICATIONS



K17

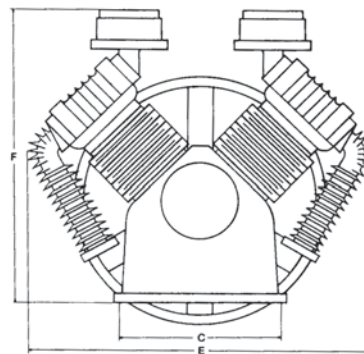
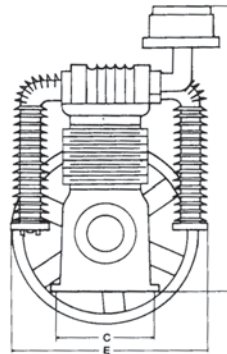
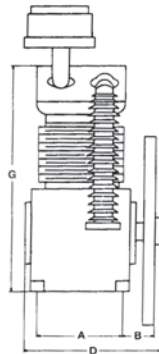


K30



K60

	K17	K18	PT03A	K24	K25	K28	K30	K50	K60	K100
Horsepower - Electric	1.5 - 2	3	5	3	5	3 - 5	5 - 7.5	7.5 - 10	10 - 15	15 - 20
Engine Rating - Gas	163 cc	-	-	270 cc	-	-	389 cc	-	688 cc	-
RPM - Electric	1.5 HP-800 2 HP-1000	3 HP-1100 -	5 HP-1200 -	3 HP-850 -	5 HP-1000 -	5 HP-1265 -	5 HP-900 7.5 HP-1260	7.5 HP-800 10 HP-1135	10 HP-800 15 HP-1140	15 HP-800 20 HP-1000
RPM - Gas	GX160-1100 -	- -	- -	- -	- -	GX340-1265 -	GX340-850 GX390-1150	- -	GX630-900 -	- -
Maximum Pressure (PSI)	150	150	150	200	200	200	200	200	200	200
Cylinders	2	2	3	2	2	2	2	2	4	4
Bore L.P. (inches)	2.52	2.75	2.56 x 3	3.54	3.54	3.74	4.13	4.72	4.13 x 2	4.72 x 2
Bore H.P. (inches)	-	-	-	1.97	1.97	1.97	2.05	2.36	2.05 x 2	2.36 x 2
Stroke (inches)	1.97	1.97	1.89	2.56	2.56	2.56	3.31	3.74	3.31	3.74
Flywheel Dia. (inches)	11.00	11.00	10.50	15.16	15.16	15.16	15.16	17.72	21.65	21.65
V-Belts	1-A	1-A	-	2-A	2-A	2-A	2-A	2-B	2-B	2-B
Approx. Shipping Weight (lb.)	38	42	63	58	61	70	90	186	232	343
Intake (inches)	.50	.50	.50	.50	.50	.75	.75	1.00	1.00 x 2	1.00 x 2
Discharge (inches)	.50	.50	.50	.50	.50	.75	.75	1.25	1.00	1.25
Oil Capacity (oz.)	34	34	24	61	61	61	47	59	98	127



Model	A	B	C	D	E	F	G
K17	5.19	3.94	7.08	10.24	11.50	14.17	13.77
K18	5.19	3.94	7.08	10.43	12.60	14.76	14.56
K24	6.41	3.94	8.09	12.20	15.16	16.33	16.33
K25	6.41	3.94	8.09	12.20	16.33	16.61	16.61
K28	6.41	3.94	8.09	12.20	15.16	20.47	16.33
K30	7.48	5.31	8.97	14.17	16.33	22.24	18.70
K50	8.26	6.30	11.41	16.53	18.11	25.98	22.04
K60	9.60	6.30	11.73	17.52	28.93	23.62	19.29
K100	11.14	7.48	15.27	20.47	35.03	27.55	22.83
PT03A	5.88	4.13	8.63	13.00	18.30	13.05	13.00

* Many other pumps available, consult factory for information.



WHY BUY ROLAIR?

TRADITION OF EXCELLENCE: With over 50 years experience building ROLAIR compressors specifically designed for industrial applications as well as for the professional contractor, Associate Engineering Corporation has earned a reputation for providing a product unsurpassed in quality and reliability. We are committed to continuing this tradition by analyzing and adapting to the changing needs and rigorous demands of the industry.

QUALITY AND RELIABILITY: Every component selected to be part of a ROLAIR compressor is subjected to a stringent series of tests, both in the factory, and the field. All engines, pumps, motors, pressure switches, throttle controls, check valves and gauges used on ROLAIR compressors must meet or exceed the demanding standards required by the industry. Every ROLAIR compressor is factory tested, prior to shipping, for amp draw, voltage, compression, working pressure levels, RPM's (gas models) and air leaks. You can depend on ROLAIR because they are built to last.

SPECIAL FEATURES: ASME NB (National Board) Air receivers, nationally known open drip-proof electric motors, heavy-duty belt guards and saddles, splash lubricated pumps with cast-iron cylinders, aluminum head and crankcase for faster heat dissipation, and oil sight gauges. These are only a few features that make us stand out above the rest.

SELECTION: ROLAIR Stationary Compressors are available from 1.5 – 20 HP, electric or gas, single or two stage, 30 – 200 gallon tanks, and base mount is available as well. Count on ROLAIR to fit your needs.

WARRANTY: All ROLAIR Compressors will be free of defects in material and workmanship for a period of twelve months from the date of initial retail purchase, or eighteen months from the date of manufacture, whichever occurs first.

"Associate Engineering Corporation is extremely proud of the reputation the ROLAIR name has earned. We welcome comparisons. Try a ROLAIR and experience for yourself why it is the best compressor value available today."

A handwritten signature in black ink that reads "Tim Kelley".

Tim Kelley
President

ROLAIR Systems

606 S. Lake Street
Hustisford, Wisconsin
Phone 920-349-3281
www.rolair.com

P.O. Box 346
53034-0346
Sales Fax 920-349-3691
Service Fax 920-349-8861