



5 YEAR WARRANTY

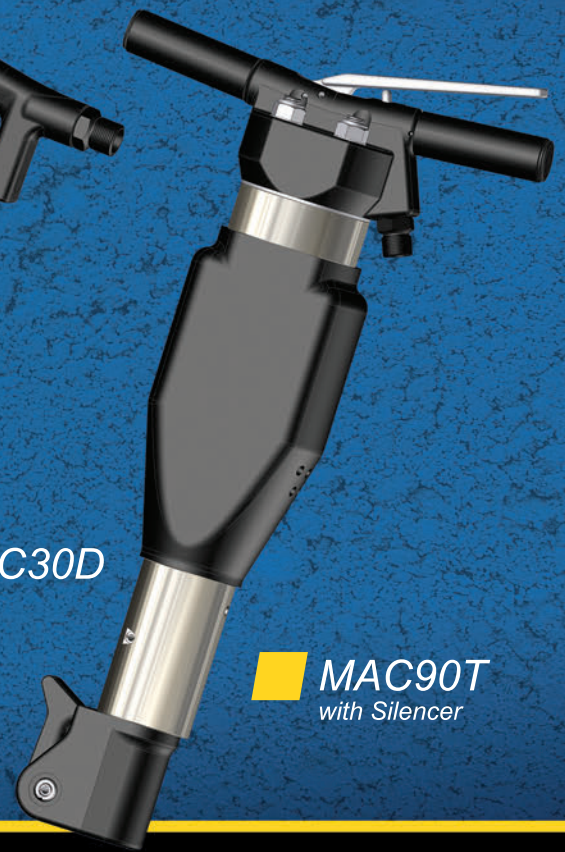


CHIPPING HAMMERS PAVER BREAKERS

AND
SPECIALTY AIR TOOLS



MAC30D



MAC90T
with Silencer

ONLINE AT ANACORP.COM

MAC

SPECIFICATIONS



CHIPPING HAMMERS

For those jobs that rely on precision, as well as power, MAC3 Chipping Hammers are the perfect partner for the job. Ideal for tile removal, breaking rock in tunnels and mines, brick wall renovations, concrete floors, pool renovations, bridge deck work and much more. MAC3 Chipping Hammers make an impact on any jobsite.

Hammer Model	Retainer Type	Weight	Length	Impact Rate	Air Consumption	Shank Type	Shank Size
	Type	pounds	inches	bpm	cfm	Type	inches
MAC11D	Spring	11	13.9	2800	17.6	Round	0.680
MAC11D	Spring	11	13.9	2800	17.6	Hex	0.580
MAC15D	Spring or Ball	18	15.6	1800	42.4	Round	0.680
MAC15D	Spring or Ball	18	15.5	1800	42.4	Hex	0.580
MAC20D-S	Spring or Ball	19.9	16	1600	42.4	Round	0.680
MAC20D-S	Spring or Ball	19.9	16	1600	42.4	Hex	0.580
MAC20D-L	Latch	21.6	19.5	1800	35.4	Hex	7/8 x 3-1/4
MAC30D	Latch	30.9	23	1500	42.4	Hex	7/8 x 3-1/4



PAVING BREAKERS

Manufactured with the toughest jobs in mind, MAC3 Paving Breakers are both reliable and powerful. Ideal for breaking reinforced concrete, frozen ground, rock; plant maintenance, construction, heavy asphalt removal, and general demolition work, MAC3's Paving Breakers are the perfect tools for a multitude of applications.

Breaker Model	Silencer	Handle Type	Weight	Length	Impact Rate	Air Consumption	Shank Type	Shank Size
	S	VR	pounds	inches	bpm	cfm	Type	inches
MAC40T	S	Fixed	41	23.5	1400	42.4	Hex	1 x 4-1/4
MAC60TX	S Anti-Freeze	VR	53	28.3	1300	42.4	Hex	1-1/8 x 6
MAC60TX	S Anti-Freeze	VR	53	28.3	1300	42.4	Hex	1-1/4 x 6
MAC60TS	S Anti-Freeze	Fixed	57.3	27.7	1200	42.4	Hex	1-1/8 x 6
MAC60TS	S Anti-Freeze	Fixed	57.3	27.7	1200	42.4	Hex	1-1/4 x 6
MAC60T	Optional	Fixed	71	27.7	1150	42.4	Hex	1-1/8 x 6
MAC60T	Optional	Fixed	71	27.7	1150	42.4	Hex	1-1/4 x 6
MAC90T	Optional	Fixed	84	28.3	1100	56.5	Hex	1-1/8 x 6
MAC90T	Optional	Fixed	84	28.3	1100	56.5	Hex	1-1/4 x 6

(S) Silencer (VR) Vibro-reduced Handles

Features and specifications may change without prior notice. Consult www.anacorp.com for the most current information.

FEATURES

25%
LESS PARTS

Fewer parts means longer life and less maintenance over time.

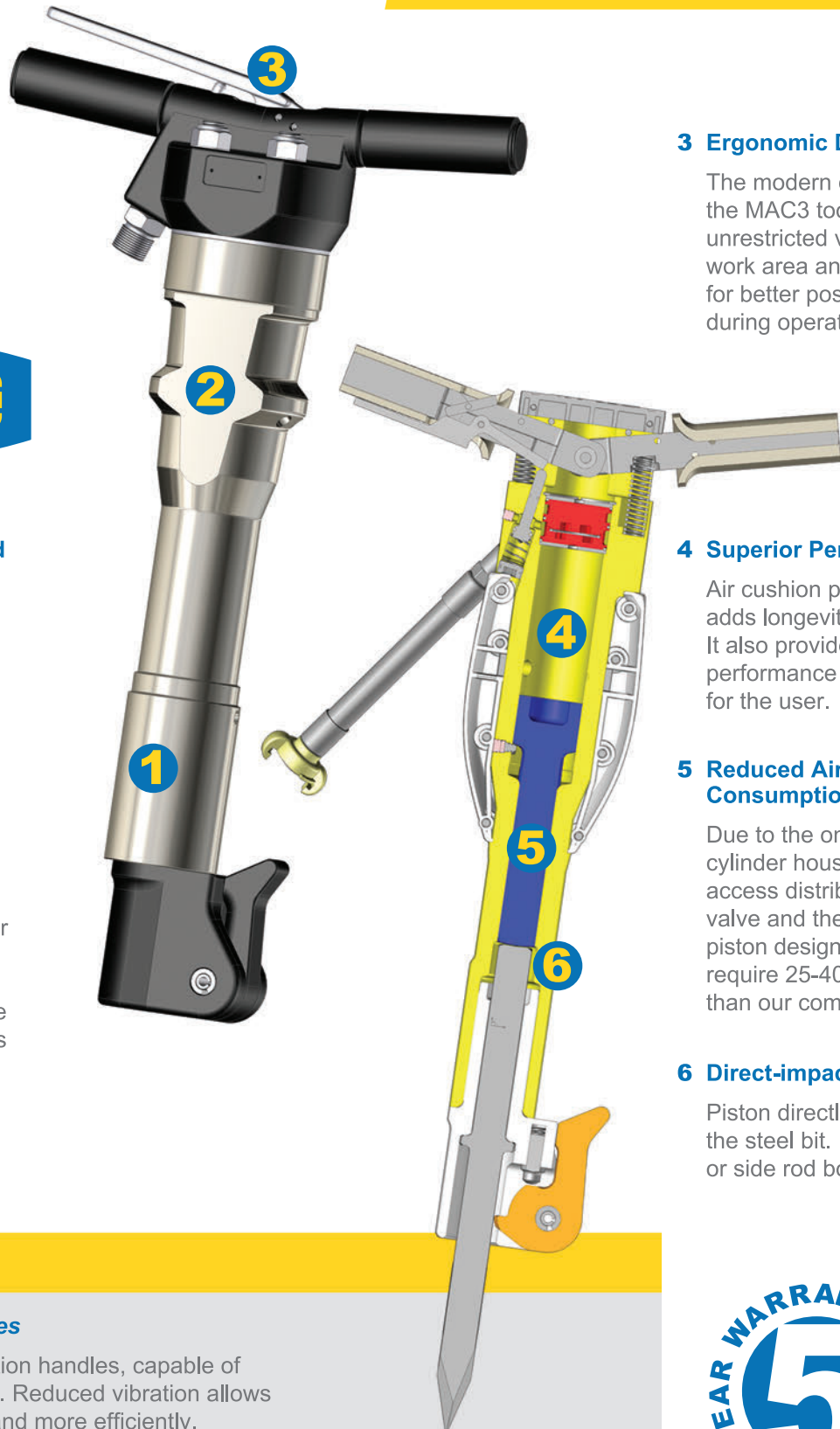


1 No Lubrication Required

Cylinders and pistons receive specific heat treatment procedures during the manufacturing process. This allows the tool to run on standard compressed air without additional oil.

2 Corrosion-Resistant Metal Finish

The surface of the cylinder is plated with corrosion-resistant white zinc. This superior coating keeps the tool looking good for years to come.



3 Ergonomic Design

The modern design of the MAC3 tool offers an unrestricted view of the work area and allows for better posture during operation.

4 Superior Performance

Air cushion piston design adds longevity to the tools. It also provides increased performance and comfort for the user.

5 Reduced Air Consumption

Due to the one-piece cylinder housing, easy access distribution valve and the air cushion piston design, MAC3 tools require 25-40% less air than our competition.

6 Direct-impact Piston

Piston directly impacts the steel bit. No tappets or side rod bolts.

» OPTIONS

Vibration-reduction Handles

MAC3 offers vibration-reduction handles, capable of reducing vibration up to 70%. Reduced vibration allows the operator to work longer and more efficiently.

Noise Reducing Silencer

For working environments with sound requirements or where construction noise is an issue, use a MAC3 silencer to reduce noise by 50%.



ONLINE AT ANACORP.COM

SPECIALTY AIR TOOLS



MAC30 RB utilizes standard 11x Jumbo-type consumables, including: upper sleeves, lower sleeves, bumpers and springs

RIVET BUSTER (MAC30 RB 11x Jumbo)

The hard-hitting MAC3 Rivet Buster features 1500 blows per minute with a 6-3/4" piston stroke. The closed "D" handle and outside thumb trigger provide ergonomic comfort during prolonged operation and, at just under 30 pounds, this lightweight air tool is easy on the back. Ideal for bridge deck removal, concrete busting, demolition and many other applications, the versatile MAC3 Rivet Buster has become the go-to air tool in construction and concrete industries.

Bore Size	Stroke Length	Pressure	Weight	Length	Impact Rate	Air Consumption	Shank Type
inches	inches	psi	pounds	inches	bpm	cfm	Type
1.7	6-3/4"	87	29.8	19.2	1500	42.4	11x Jumbo

PAC3000-8 AIR PICK

The MAC3 Air Pick uses high-velocity compressed air to move dirt and safely uncover solid objects like electric and gas lines for utility companies, and delicate tree roots for landscaping and arborist applications. The PAC3000-8 has a safety throttle (dead man's handle); non-conductive, fiberglass barrel; and a debris deflector that provides a high degree of safety for the operator. The Air Pick requires 105 cfm of air to operate and includes a durable storage case.

Pipe Length	Extension Pipe	Nozzle Size	Air Pressure	Air Consumption	*Sound Level	Weight
inches	inches	inches	psi	cfm	LpA	pounds
40	20	0.315	90	105	92	6

*Sound level measured at a distance of three feet (R=3 ft).

Non-conductive (1) and non-sparking tool.

(1) Dielectric tests performed by an independent laboratory: 80,000 volts in laboratory test and 34,000 volts in operation

KIT CONTENTS

- Air pick (Standard 4 ft/105 cfm config.)
- Adjustable support handle
- End piece with 45° bend
- 20" pipe extension
- Storage case for air pick & accessories

OPTIONAL ACCESSORIES

- Extra pipe extension



1 Handle rotates horizontally and vertically

2 Adjustable Support Handle

- Ergonomic comfort
- Better load distribution
- Ambidextrous use

3 20" Pipe Extension

4 45° Nozzle End Piece

5 Deflector

- Helps protect user from flying debris

6 Sealed Nozzle

- Sonic air nozzle sealed in the end tube

7 Storage Case

- Durable exterior
- Padded interior
- Holds Air Pick and accessories

▶ SEE THESE SPECIALTY AIR TOOLS IN ACTION
WATCH MAC3 PRODUCT VIDEOS ONLINE

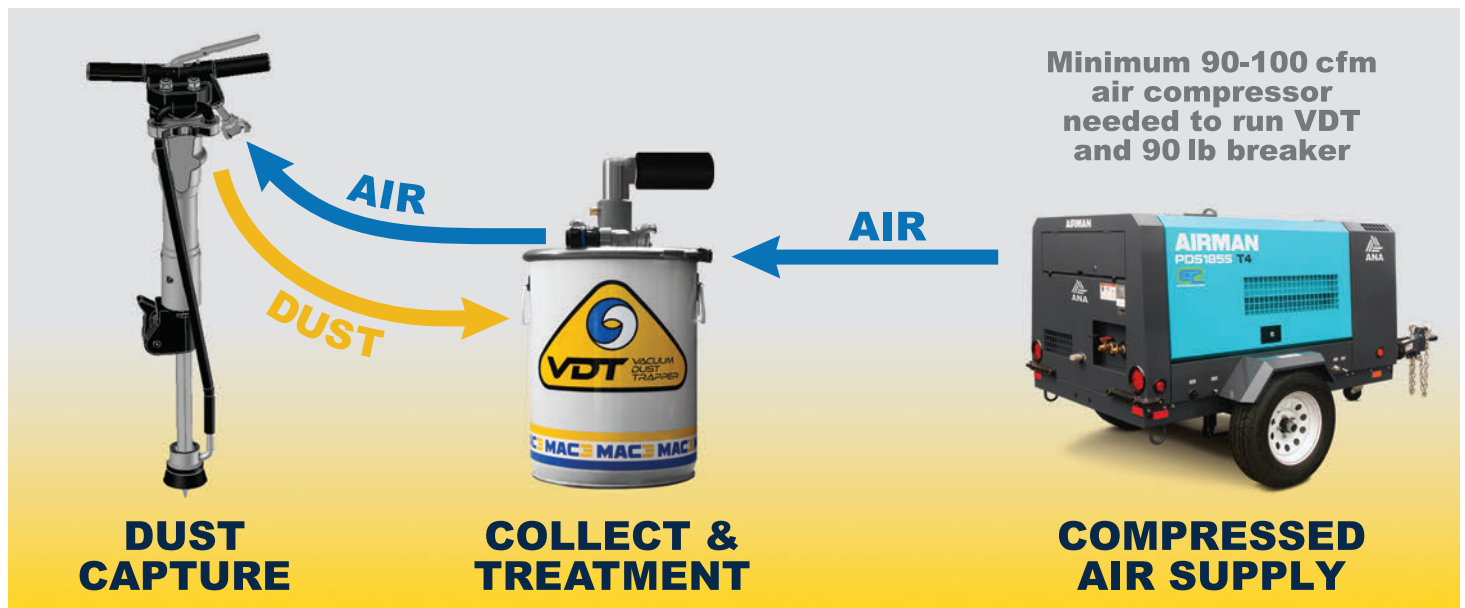


VACUUM DUST TRAPPER (VDT)

The MAC3 Vacuum Dust Trapper (VDT) effectively collects and filters construction dust generated by the air tool. The universal VDT is adaptable to all breakers and hammers and does not require an external electrical source – just compressed air. The VDT system reduces exposure of dust to the worker and lowers the risk of respiratory and cardiovascular diseases. Dust particulates are trapped by a HEPA filter inside of the tank.

*Filter Type	Pressure	Air Consumption	Vibration	Tank Capacity
Type	psi	cfm	m/s ²	gallons
HEPA	87	35	0	5

*Washable and reusable HEPA filter conforms to OSHA Standard 1926.1153.



VDT BENEFITS

- **No electrical or external energy required.**
The system works with a simple compressor connection and an air-powered Venturi vacuum device.
- **No water required.**
Water is not used on work surfaces or in the tank. The VDT eliminates any water slurry on the jobsite. All dust is trapped by a washable HEPA filter inside of the tank.
- **The Vacuum Dust Trapper is a universal system.**
The system can be used with any brand of paver breaker or chipper hammer and includes 16 feet of vacuum hose.
- **The VDT is light and portable.**
The lightweight tank is easily moved on the jobsite.
- **Low air consumption.**
The system only requires 35 cfm. A 90-100 cfm air compressor can run the VDT system and a MAC3 90 lb breaker.
- **Independent operation.**
A Start/Stop button on the VDT allows the operator to run the VDT independently from the air tool.
- **The VDT includes a standard silencer.**
Exhaust noise is reduced on the air-powered Venturi with a standard silencer.

ONLINE AT ANACORP.COM



ENGINEERED TO LAST.

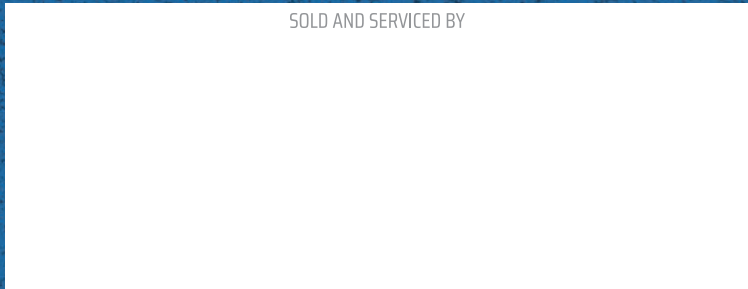


ABOUT ANA

ANA, Inc. manufactures and sells the industry's highest-quality equipment and provides complete sales and support for AIRMAN® air compressors and generators, as well as MAC3 air tools in North America. ANA is committed to making your world easier by answering the phone, understanding your needs, and taking ownership to provide you solutions. With a large parts inventory and more than 90% of all orders shipping within 24 hours, you never have to worry about spare parts. ANA service professionals are ready to keep your fleet in top condition with 24/7 on call technical support, parts processing, warranty assistance and product training.

We Make Your World Easier by only selling the highest quality equipment that has the most dependable uptime and the best total cost of ownership. AIRMAN generators are available in 13- 400 kVA. The AIRMAN air compressor line ranges from 100-400 cfm and includes the industry workhorse PDS185S. MAC3 air tools range from 11 lb chipping hammers to 90 lb paving breakers.

Visit us online at anacorp.com for more information.



SOLD AND SERVICED BY

NATIONWIDE STOCKING LOCATIONS

ANA N. California
1315 Vinci Avenue
Sacramento, CA 95838

ANA South Carolina
1335 Hayne Street
Spartanburg, SC 29301

ANA Texas
10440 Brockwood Road
Dallas, TX 75338



Alliance North America, Inc.
Corporate Headquarters
11100 Hope Street, Cypress, CA 90630

ANACORP.COM
(562) 450-3570 // sales@anacorp.com



ANA

We make your world easier.