

# ARS 50

## SOIL COMPACTOR

EU Stage V / U.S. EPA Tier 4 Final



### POWER AND FUEL EFFICIENCY

The Ammann ARS 50 Single Drum Rollers utilise advanced technology, innovative engineering and robust engines with the latest emission standards. A combination of a well-balanced engine, fully hydrostatic drive system and control deliver exceptional fuel consumption. That efficiency and a large fuel tank means a roller need only be fuelled once every three working shifts.

### PRODUCTIVITY

#### High compaction output

Fast, precise compaction in the fewest possible passes

#### No-rear-axle concept

Utilises unique machine design with low centre of gravity for improved stability, manoeuvrability and optimal jobsite safety

#### Twin-lock drive

Improves traction and reduces slipping of axles

### ERGONOMICS

#### Simple & reliable dashboard

Intuitive machine control, even with an unskilled operator

#### Unobstructed visibility

Excellent all-around machine visibility for safety on the jobsite

#### Operator workplace

Ergonomically friendly operator station designed for high operator comfort during working day

### APPLICATIONS

- Landscaping
- Forest roads
- Municipal roads
- Walking/bicycle paths
- Pipeline construction
- Electric cable construction

### SERVICEABILITY

#### ECOdrops

Smart machine functions and new technologies improve efficiency and reduce fuel consumption and the amount of required fluids.

#### Ground servicing

Convenient access to all maintenance points

#### Solid design

Robust machine design to minimise downtime

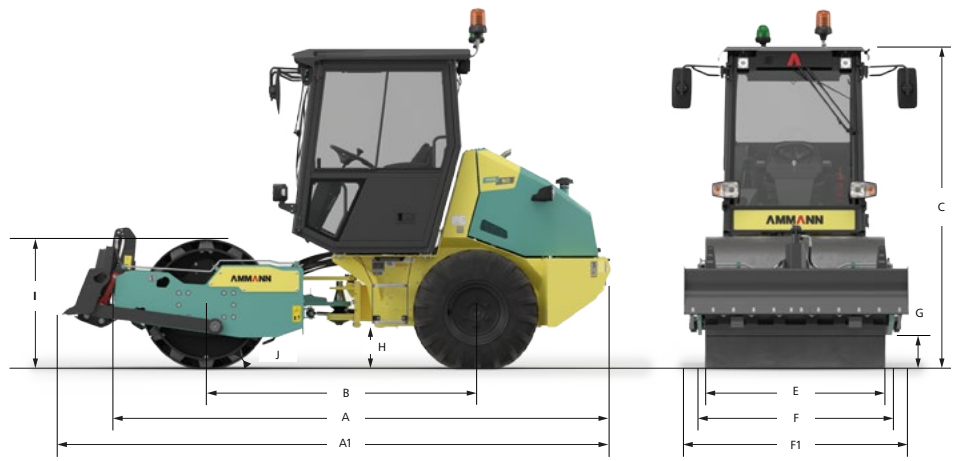
MAXIMUM RECOMMENDED COMPACTED LIFT THICKNESS AT OPTIMAL WORKING CONDITIONS

	Rockfill	Sand / Gravel	Mixed Soils	Silt	Clay
ARS 50	-	* 400 mm (16 in)	* 300 mm (12 in)	200 mm (8 in)	100 mm (4 in)
ARS 50 (PD)	-	-	* 300 mm (12 in)	* 200 mm (8 in)	* 150 mm (6 in)

\* Recommended drum type

# AMMANN

TECHNICAL SPECIFICATIONS  
ARS 50 SOIL COMPACTOR  
EU Stage V / U.S. EPA Tier 4 Final



DIMENSIONS		
A	Machine length	3925 mm (154,5 in)
A1	Machine length (blade)	4330 mm (170,5 in)
B	Wheelbase	2125 mm (83,7 in)
C	Machine height	2545 mm (100,2 in)
E	Drum width	1400 mm (55,1 in)
F	Machine width	1548 mm (60,9 in)
F1	Machine width (blade)	1726 mm (68 in)
G	Curb clearance	240 mm (9,4 in)
H	Ground clearance	345 mm (13,6 in)
I	Drum diameter	1000 mm (39,4 in) / *1030 mm (40,6 in)
J	Drum thickness	18 mm (0,7 in)

\*Smooth shell

ENGINE	
Manufacturer	Kubota V2403-CR-T
Power output ISO 14396	43.2 kW (58 HP)
Exhaust gas after-treatment	EGR+DOC+DPF
	EU Stage V / U.S. EPA Tier 4 Final

COMPACTION FORCES		
		PD
Frequency I	29 Hz (1740 vpm)	29 Hz (1740 vpm)
Frequency II	37 Hz (2220 vpm)	37 Hz (2220 vpm)
Amplitude	1,6 mm (0,06 in)	1,5 mm (0,06 in)
Centrifugal force I	53 kN (11 915 lbf)	53 kN (11 915 lbf)
Centrifugal force II	85 kN (19 109 lbf)	85 kN (19 109 lbf)

MISCELLANEOUS	
Brakes operating	Hydrostatic
Parking brakes	Multiple-disc spring brake
Emergency brakes	Multiple-disc spring brake
Fuel tank capacity	98 l (25.9 gal)
Articulation angle	±30°
Oscillation angle	±10°

WEIGHT & DRIVING CHARACTERISTIC				
		PD	HX	HXPD
Operating weight CECE	4165 kg (9182 lb)	4205 kg (9270 lb)	4210 kg (9281 lb)	4250 kg (9370 lb)
Max. operating weight	4455 kg (9822 lb)	5340 kg (11773 lb)	4500 kg (9921 lb)	5385 kg (11872 lb)
Static linear load	16,5 kg/cm (92,4 lb/in)	-	16,5 kg/cm (92,4 lb/in)	-
Number of pads	-	63 pcs	-	63 pcs
Pad contact surface	-	75 cm <sup>2</sup> (11,6 sq in)	-	75 cm <sup>2</sup> (11,6 sq in)
Pad height	-	60 mm (2,4 in)	-	60 mm (2,4 in)
Max. travel speed	12 km/h (7,5 MPH)	12 km/h (7,5 MPH)	9,6 km/h (6 MPH)	9,6 km/h (6 MPH)
Max. working speed	9,5 km/h (5,9 MPH)	9,5 km/h (5,9 MPH)	7,6 km/h (4,7 MPH)	7,6 km/h (4,7 MPH)
Gradeability without /with vibration	40% / 30%	40% / 30%	40% / 30%	40% / 30%
Turning radius, inner (edge)	3270 mm (128,7 in)	3270 mm (128,7 in)	3270 mm (128,7 in)	3270 mm (128,7 in)

**STANDARD**

- CE conformity
- Ammann color scheme
- Wheel and drum drive
- Twin-lock system
- Smooth drum
- Steel scrapers
- 2 Frequencies/  
1 Amplitude vibration system
- Open Platform with ROPS
- Manual tilting hood
- Tractor tread tyres
- Working lights
- On-board diagnostics
- Central draining points
- Testports on hydro-components

**OPTIONAL EQUIPMENT**

- PD drum incl. scrapers
- Smooth shell
- Drive HX
- Vulcolan scrapers for smooth drum
- ROPS/FOPS cab
- Radio FM
- A/C with cooling medium
- Warning beacon LED green
- 3" seat belt
- Seat option armrests
- Ammann ServiceLink (telematics)
- Telematics ServiceLink start
- Telematics Trackunit
- Telematics Trackunit keyboard
- Telematics Topcon
- Telematics preparation
- Compaction measuring system ACE<sup>force</sup>
- Road lights incl. turning signals
- Registration plate holder
- Additional lights 360° LED
- Warning beacon LED
- Slow moving vehicle triangle
- Dozer blade
- Back-up alarm
- Back-up alarm adaptive
- Rear view camera
- Engine air inlet precleaner
- Tractor tyres, 12,5" wide
- Tyre ballast - 25°
- Sun visor
- Rear window
- Cold weather engine kit