



BOMAG
FAYAT GROUP

Reversible Vibratory Plates **BPR25/40 BPR25/40D**



The water kit allows for compacting asphalt.



The transport wheels allow for one-person movement around the jobsite.



The Vulcolan mat helps avoid damage to paving stone surfaces.

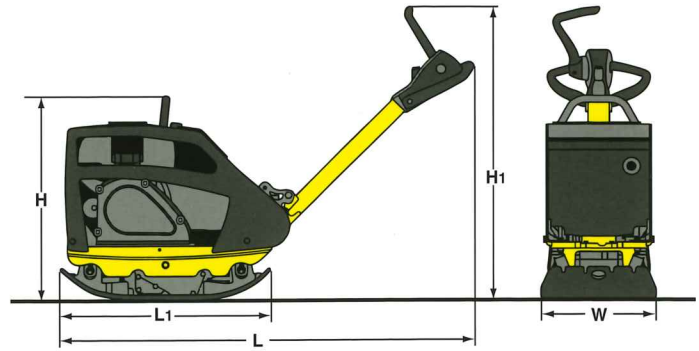


Technical Specifications

BPR25/40 BPR25/40D

Shipping dimensions in cubic feet (m³)

BPR25/40	22 (0.624)
BPR25/40D	22 (0.624)



Standard Equipment

- Hydraulic travel lever adjustment
- Vibration dampened steering rod
- Height adjustable steering rod
- Steering rod lockable in transport and working position
- Vibration and throttle regulation on the steering rod
- Highly wear resistant base plate with reinforced edges
- Fully protected V-belt
- Reinforced centrifugal clutch
- Automatically adjusting v-belt pulley
- Semi-automatic decompression (BPR25/40D)
- Large-volume dry air filter with cyclone-type precleaner (BPR25/40)
- Maintenance-free transistor ignition (BPR25/40)
- Recoil starter

Optional Equipment

- Vulcolan mat
- Transport Wheels
- Service Kit
- Water Kit

Dimensions inches (mm)

	H	H ₁	L	L ₁	W
BPR25/40	26.0 (660)	34.3 (870)	57.5 (1460)	25.6 (650)	15.7 (400)
BPR25/40D	29.1 (740)	34.3 (870)	57.5 (1460)	25.6 (650)	15.7 (400)

Technical data

Weights

	BOMAG BPR25/40	BOMAG BPR25/40D
Basic weight	269 (122) lbs (kg)	302 (137) lbs (kg)
Operating weight	276 (125) lbs (kg)	309 (140) lbs (kg)

Driving characteristics

	BOMAG BPR25/40	BOMAG BPR25/40D
Working speed max	82 (25) ft/min (m/min)	82 (25) ft/min (m/min)
Max gradeability.....	30 %	30 %

Drive

	BOMAG BPR25/40	BOMAG BPR25/40D
Engine manufacturer.....	Honda	Hatz
Type.....	GX 160	1B20
Cooling.....	air	air
Number of cylinders	1 rpm	1 rpm
Performance ISO 9249	4.8 (3.6) hp (kW)	4.2 (3.1) hp (kW)
Speed	3600	3000
Fuel	gasoline	diesel

Exciter System

	BOMAG BPR25/40	BOMAG BPR25/40D
Frequency.....	5100 (85) vpm (Hz)	5100 (85) vpm (Hz)
Centrifugal Force	5620 (25) lbs (kN)	5620 (25) lbs (kN)

Capacities

	BOMAG BPR25/40	BOMAG BPR25/40D
Fuel.....	1 (3.6) gal (l)	0.8 (3) gal (l)

Technical modifications reserved. Machine may be shown with options.